**FAG****53210**

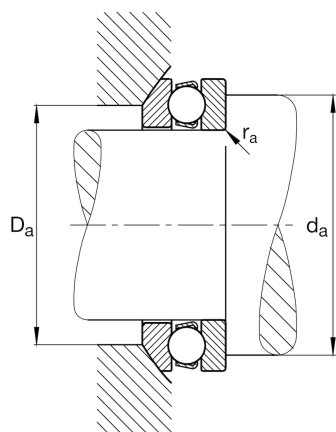
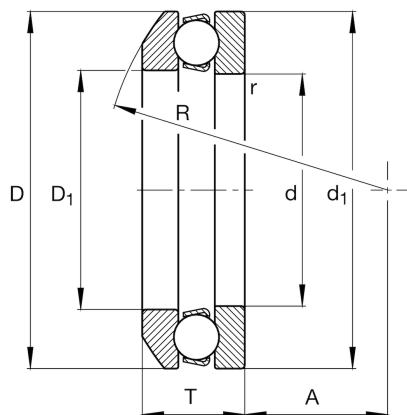
Axial deep groove ball bearing

Schaeffler ID:
0167158290000

Axial deep groove ball bearing 532, single direction, with spherical housing washer, steel sheet metal cage

Technical information

Main Dimensions & Performance Data



d	50 mm	Bore diameter
D	78 mm	Outside diameter
T	23.5 mm	Height
C_a	50,000 N	Basic dynamic load rating, axial
C_{0a}	106,000 N	Basic static load rating, axial
C_{ua}	4,850 N	Fatigue load limit, axial
n_G	4,950 1/min	Limiting speed
n_{gr}	5,700 1/min	Reference speed
	0.356 kg	Weight

Dimensions

r_{min}	1 mm	Minimum chamfer dimension
D_1	52 mm	Bore diameter housing washer
d_1	78 mm	Lip diameter shaft washer
R	64 mm	Radius spherical housing washer
A	32.5 mm	Distance of the center point
T_1	26 mm	Height with seat washer

Mounting dimensions

$d_{a min}$	67 mm	Minimum diameter shaft shoulder
$D_{a max}$	62 mm	Maximum diameter of housing shoulder
$r_{a max}$	1 mm	Maximum recess radius

Additional information

A	0.069	Minimum load factor
	U210	Seat washer

Temperature range

T_{min}	-30 °C	Operating temperature min.
T_{max}	150 °C	Operating temperature max.